

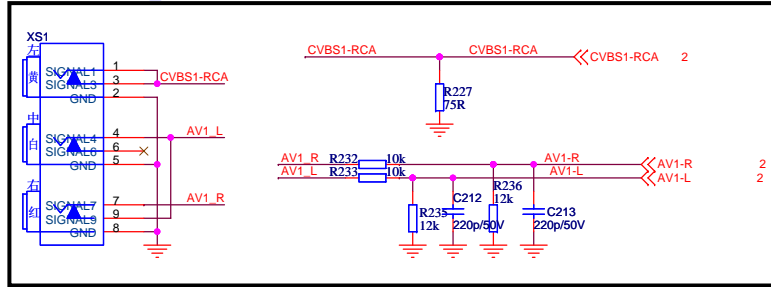
Title		<b>MSD61981BTC</b>	
Size	Document Number		
Customer	<b>System Power</b>		
Date:	Monday, November 07, 2011	Sheet	1 of 10
Rev	1.0		



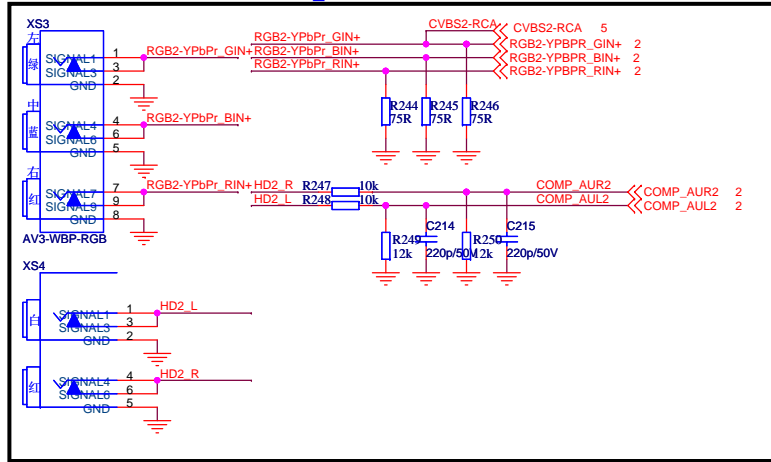




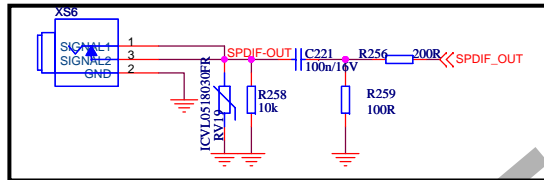
## AV1 Input



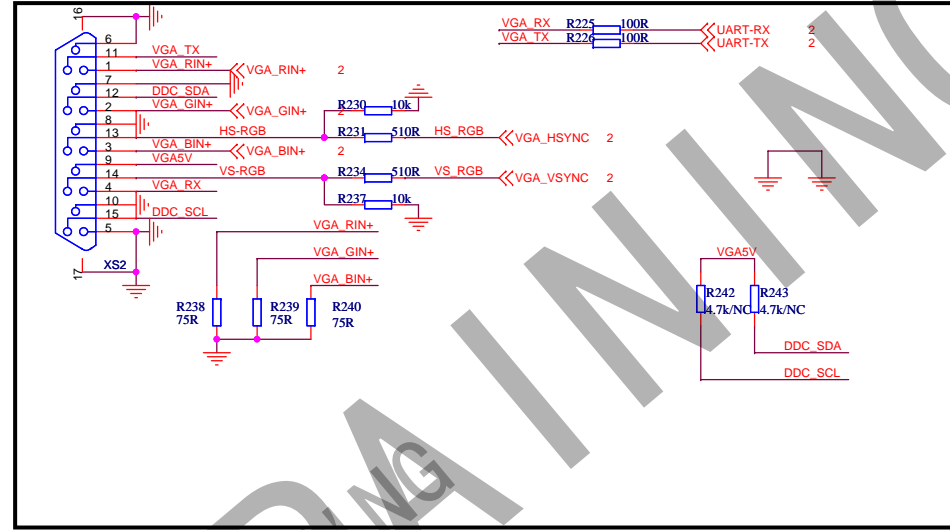
## HDTV & AV2 Input



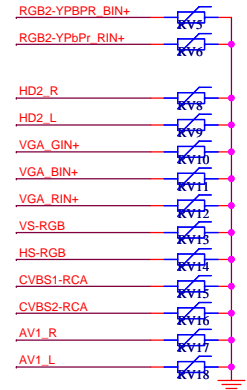
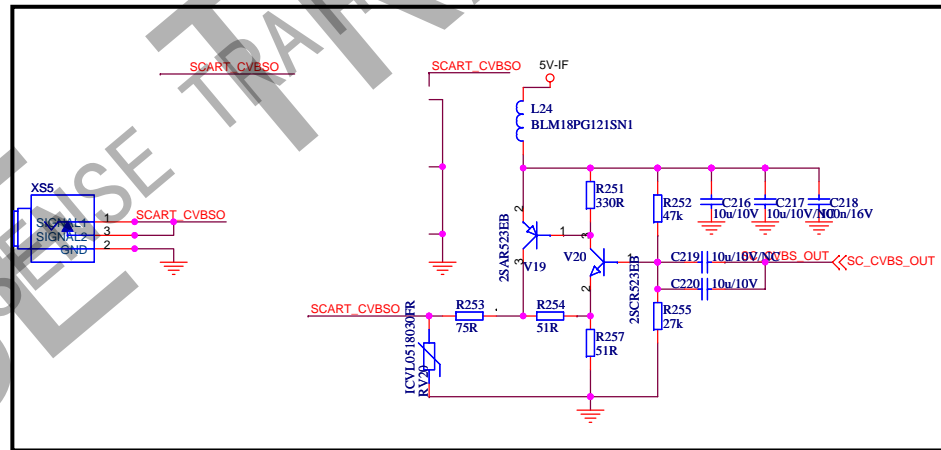
## COAXIAL OUTPUT



## VGA

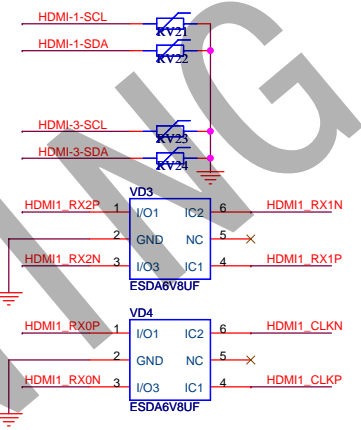
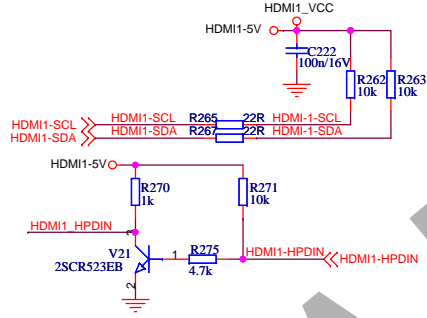
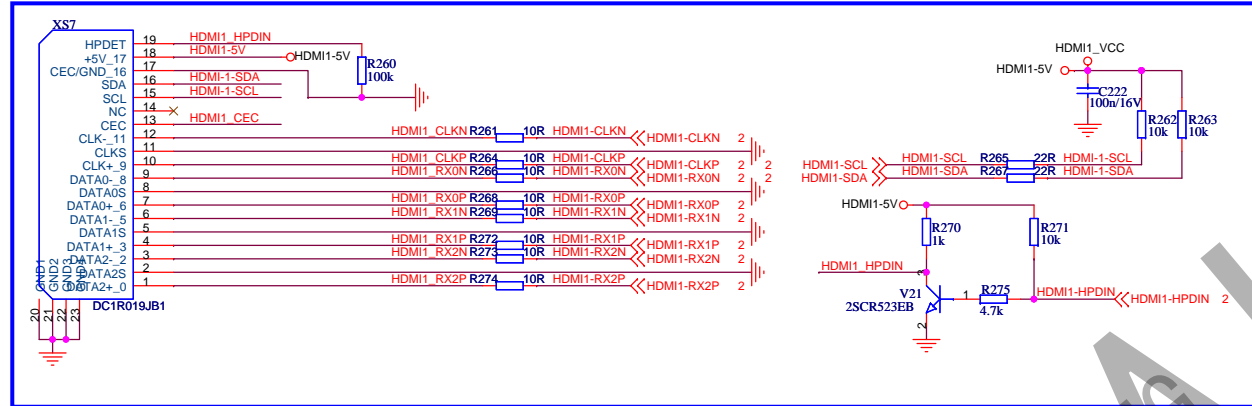


## AV OUTPUT

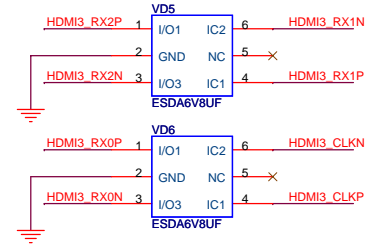
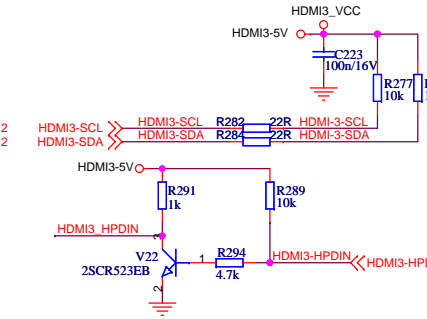
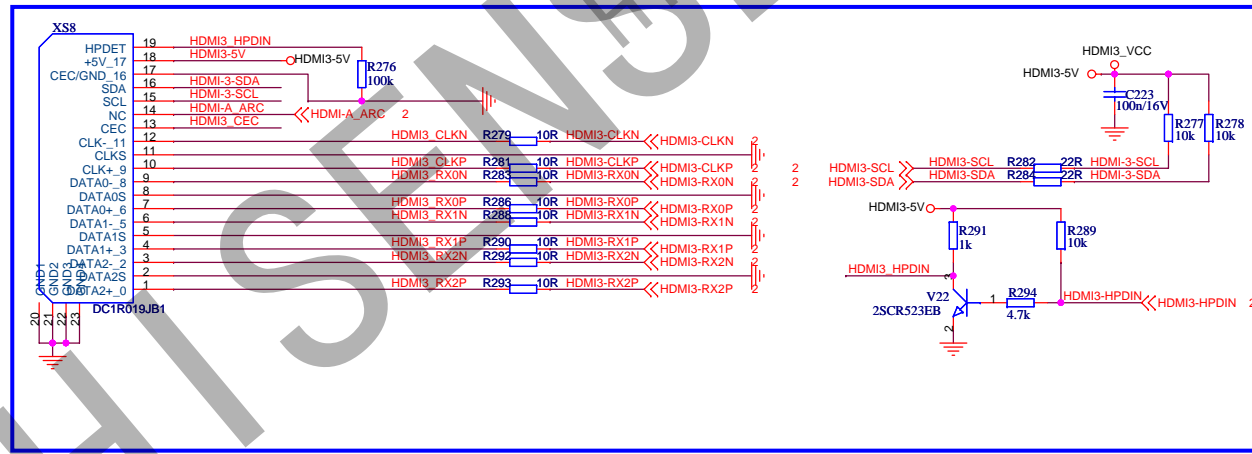


Title		
MSD6i981BTC		
Size	Document Number	Rev
A3	Video Interface	1.0
Date:	Tuesday, October 11, 2011	Sheet 5 of 10

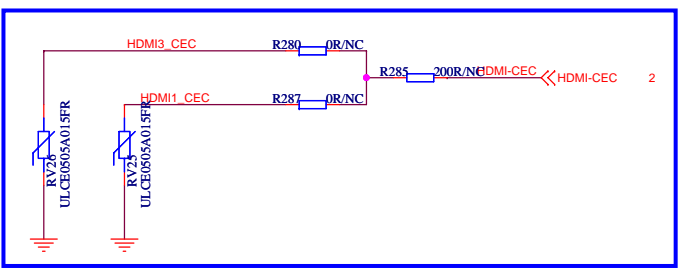
### HDMI1



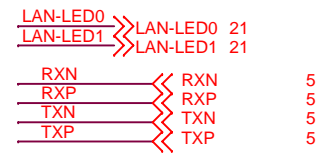
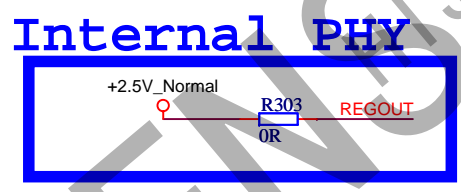
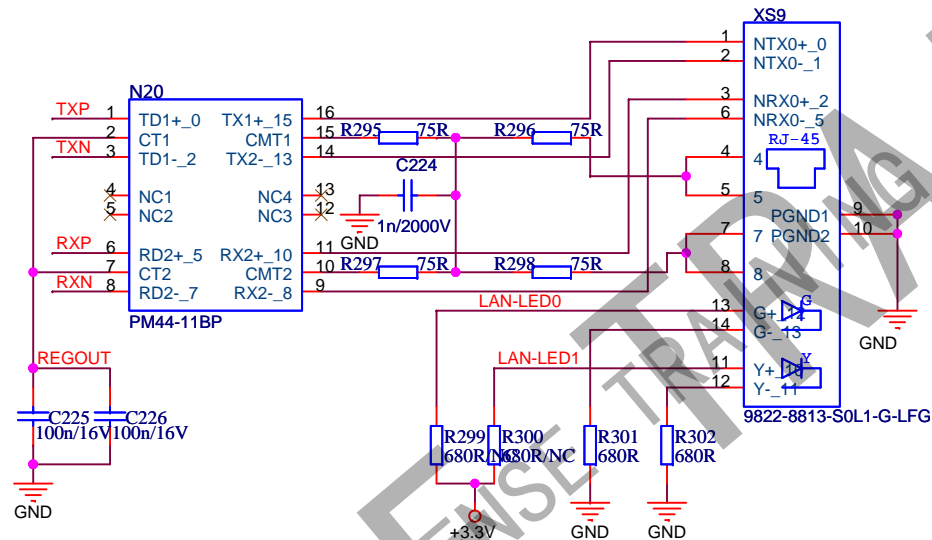
### HDMI3



### CEC

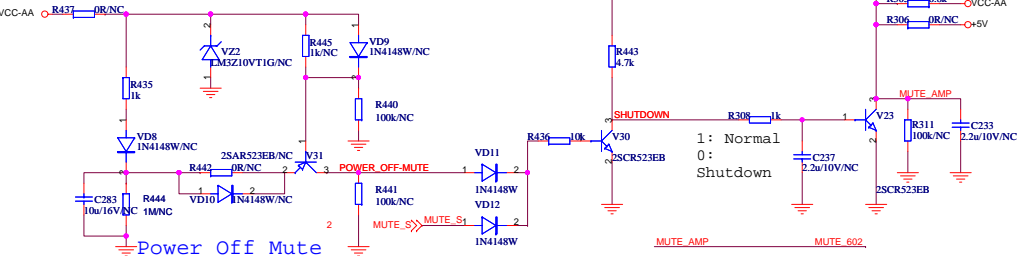


Title			<b>MSD6i981BTC</b>		
Size	Document Number		Rev		
A3	<b>HDMI</b>		1.0		
Date:	Thursday, September 15, 2011	Sheet	6	of	10

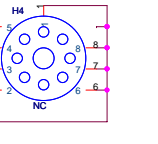
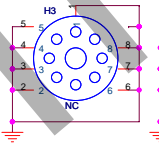
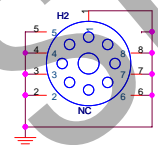
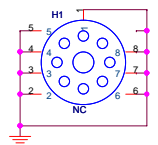
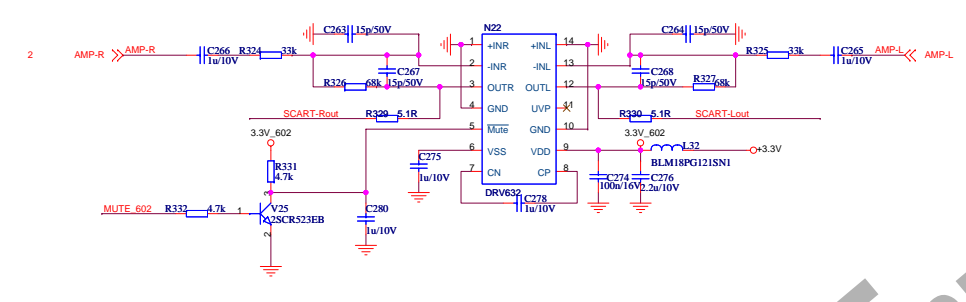


Title		
MSD6i981BTC		
Size	Document Number	Rev
A4	Ethernet	1.0
Date:	Saturday, September 17, 2011	Sheet 7 of 10

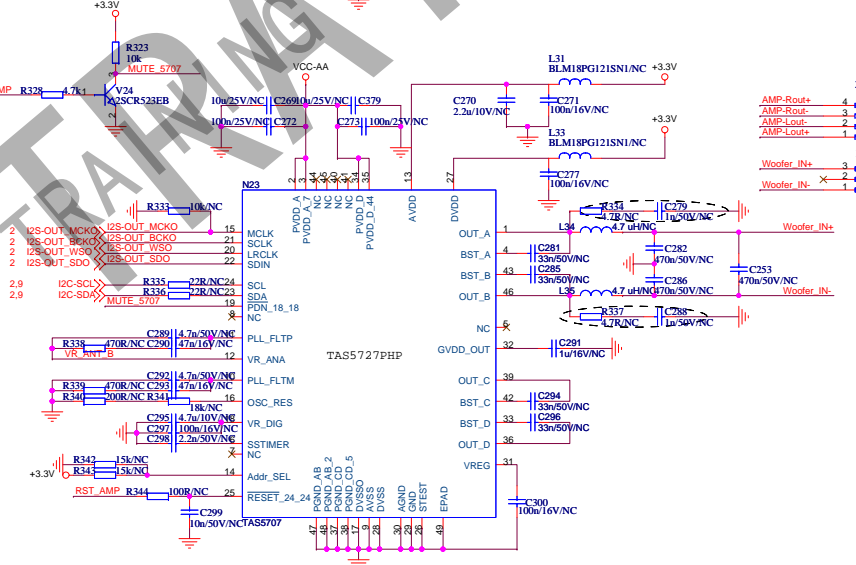
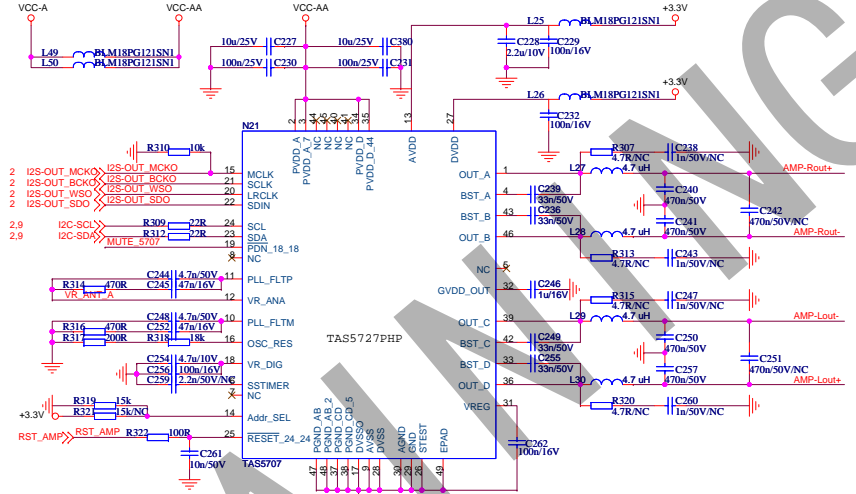
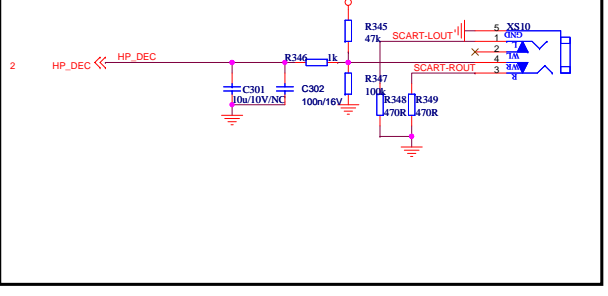
# MUTE



# audio pre. AMP



# 耳机输出

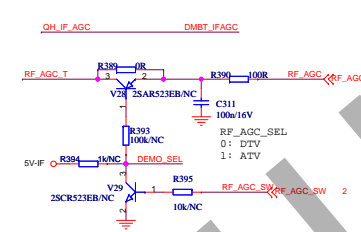
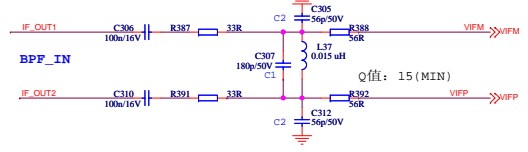
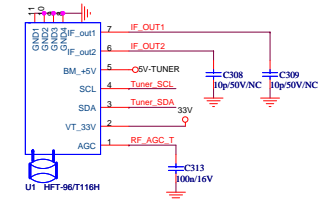


File	MSD6i981BTC	
Size	Document Number	Rev
Customer	Audio Amplifier	1.0
Date	Sunday, September 25, 2011	Sheet 8 of 10

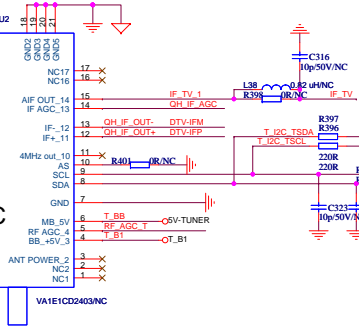




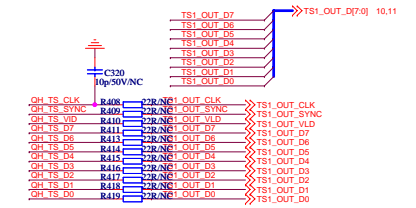
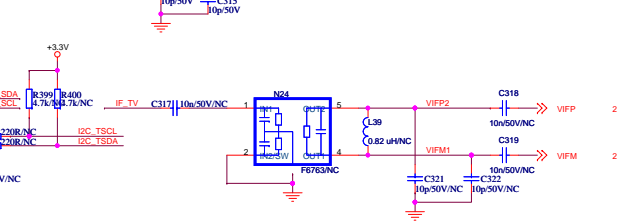
C1=180P, C2=56PF, FOR 38.9MHZ (PAL)  
C1=120P, FOR 45.75MHZ (NTSC)  
BPF FOR 38.9MHZ OR 38MHZ



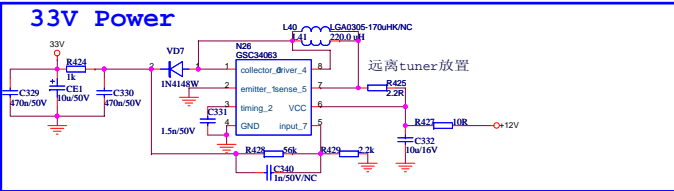
### DMBT Tuner



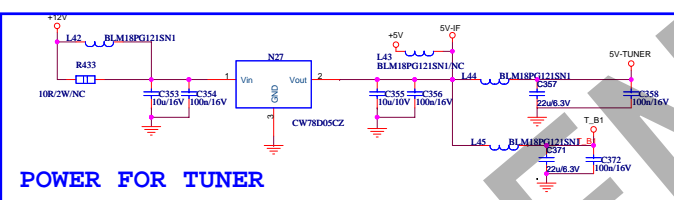
### ANALOG TUNER I2C Level Shifter



### 33V FOR TUNER

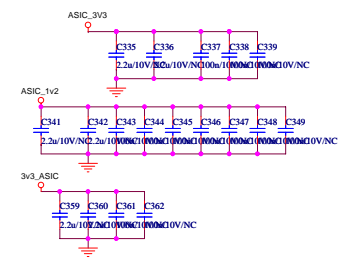
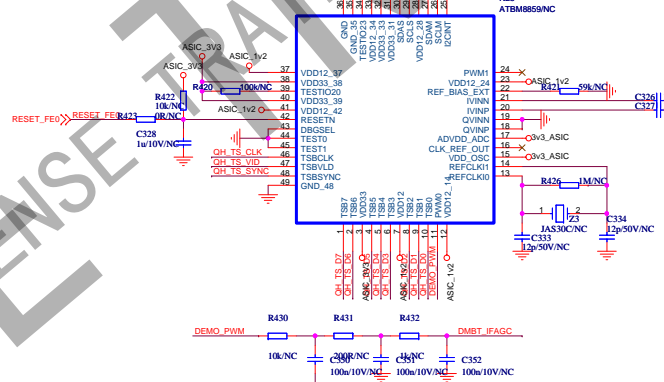
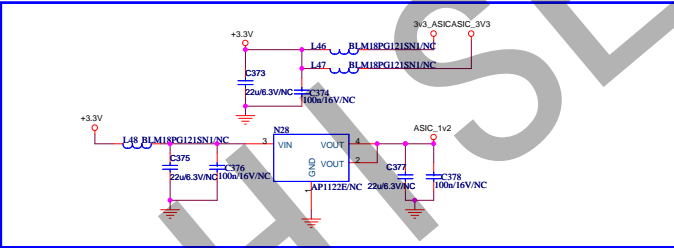


### 5V FOR TUNER



### POWER FOR TUNER

### Demo. POWER



Title	MSD61981BTC	
Size	Document Number	Rev
A2	TV Interface	1.0
Date:	Monday, October 03, 2011	Sheet 10 of 10