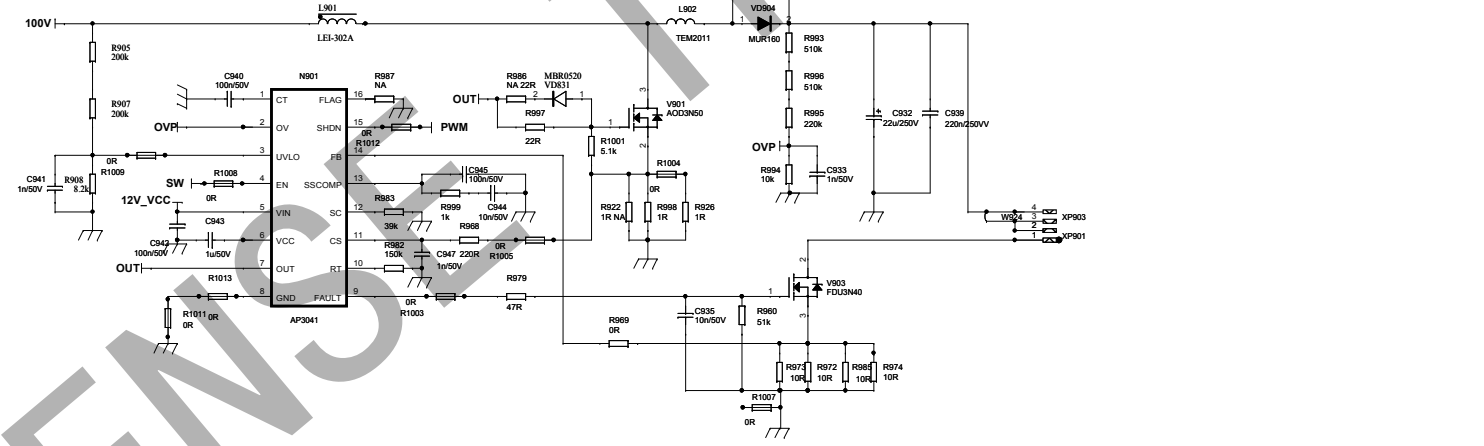
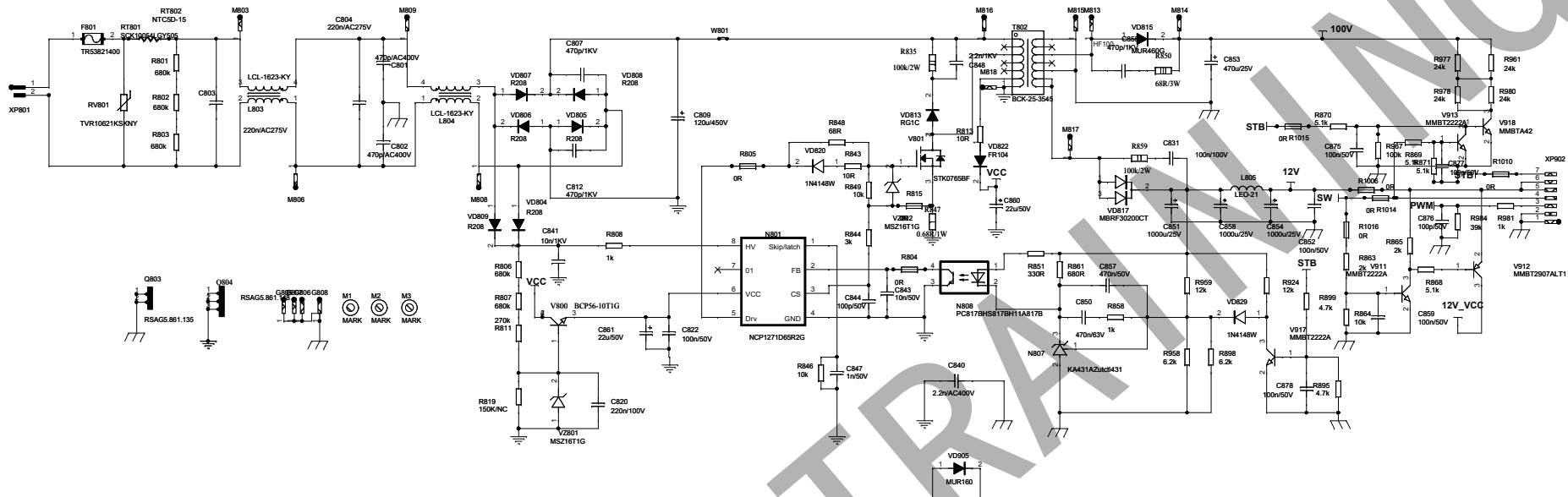


HISENSE



Title		<Title>
Size	Document Number	Rev
A2	<Doc>	<Rev>
Date	Thursday, August 11, 2011	Sheet 1 of 2