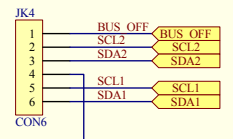
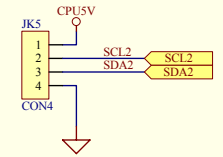


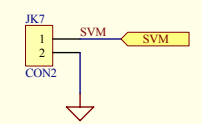
TO_TDA9332



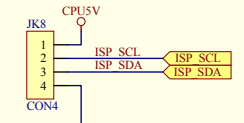
TO_MCU



TO_MCU



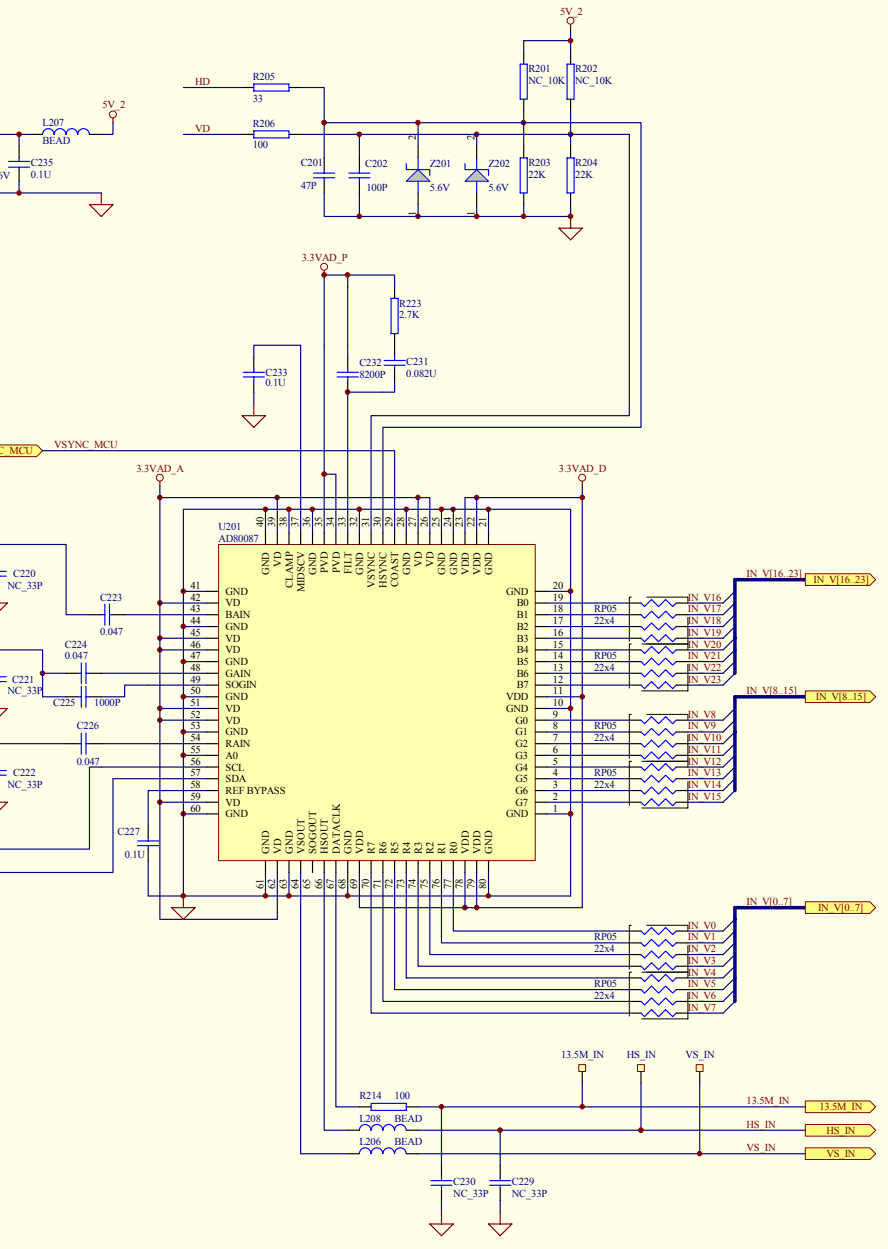
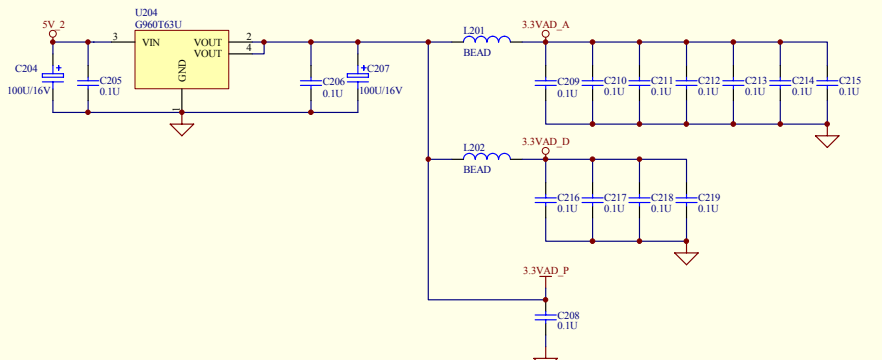
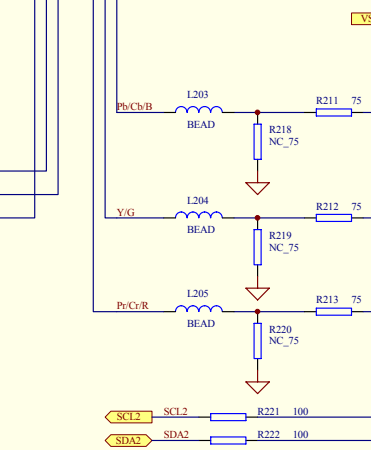
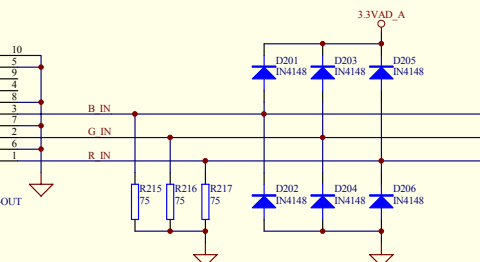
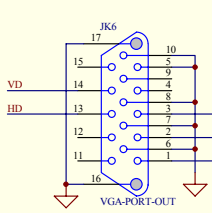
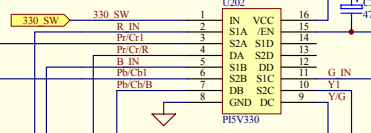
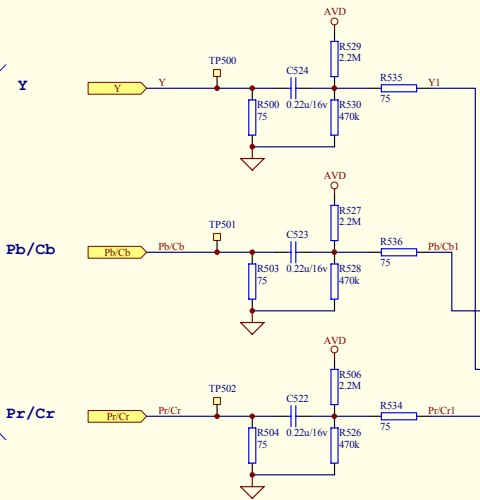
TO_HTV025



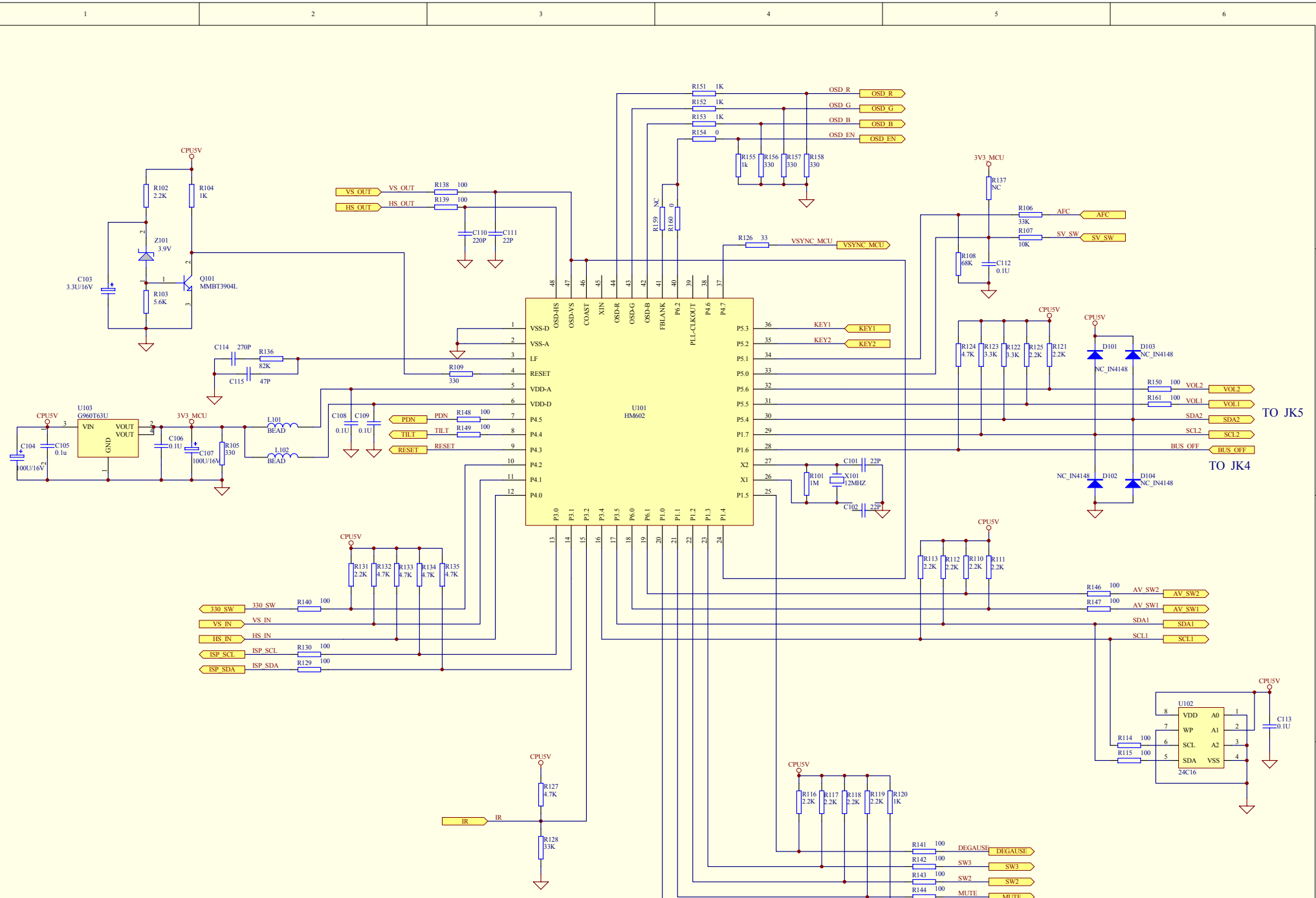
TO_MCU

Title		
Size	Number	Revision
A3		
Date:	17-Jan-2006	Sheet of
File:	E:\3D20\3D20.DDB	Drawn By:

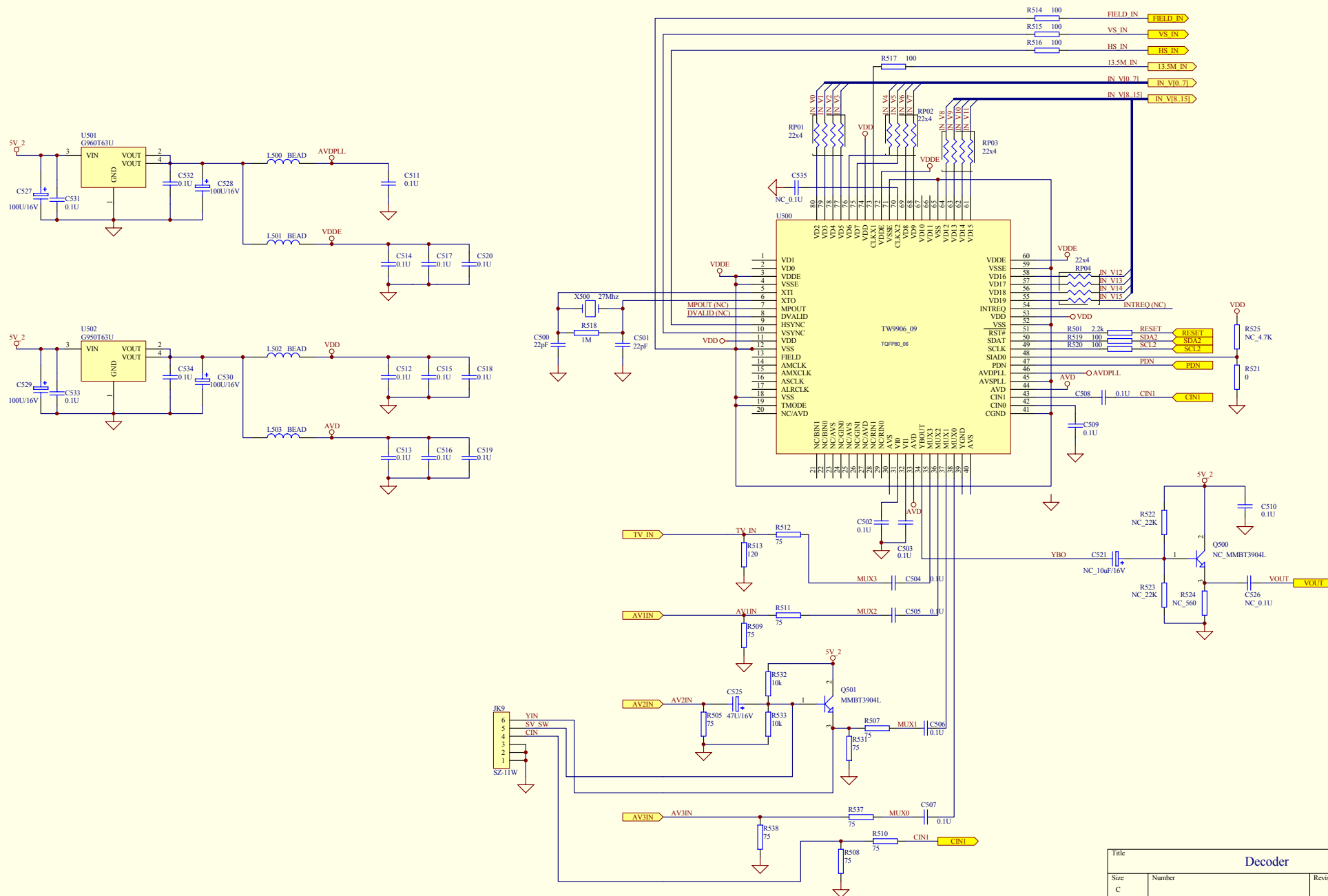
Component



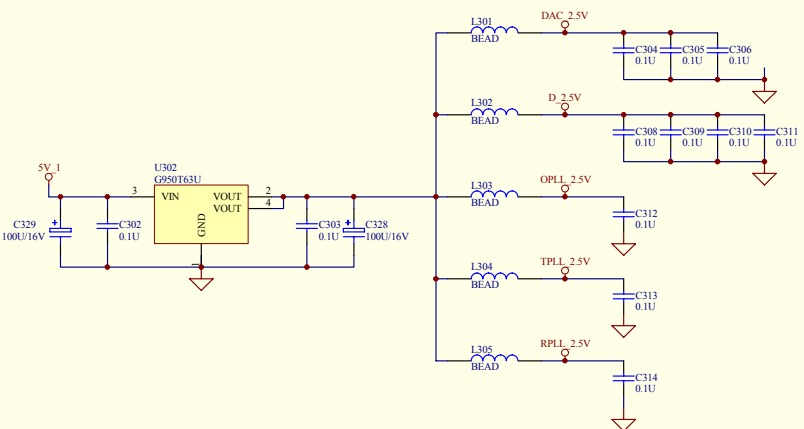
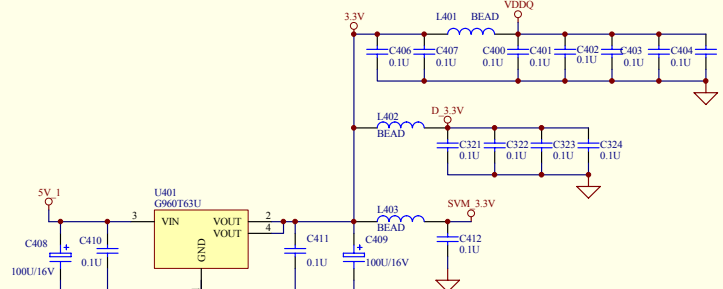
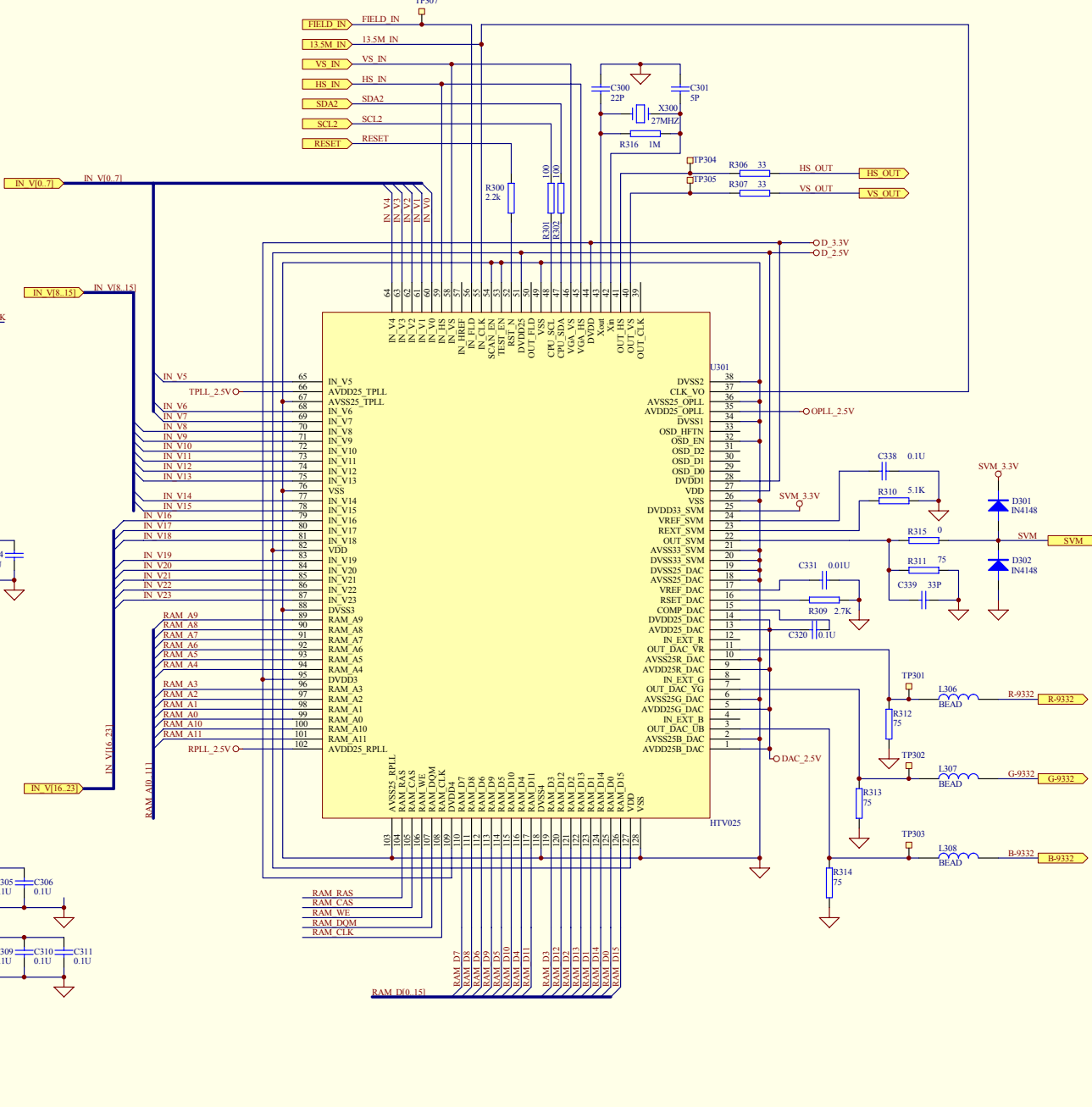
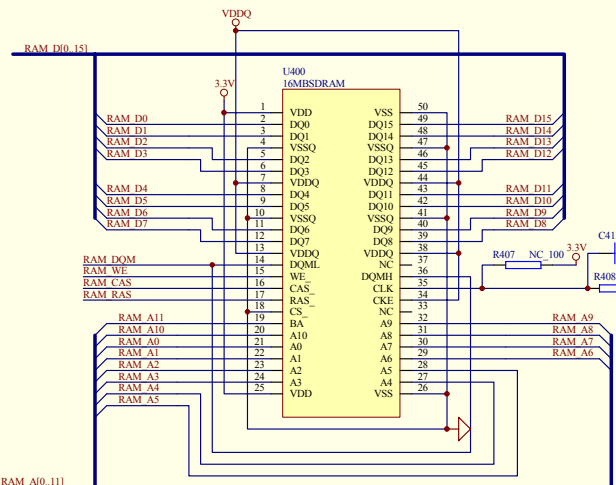
Title			CAT9883		
Size	Number	Revision			
C					
Date:	17-Jan-2006	Sheet of			
File:	E:\3D20\3D20.DDB	Drawn By:			



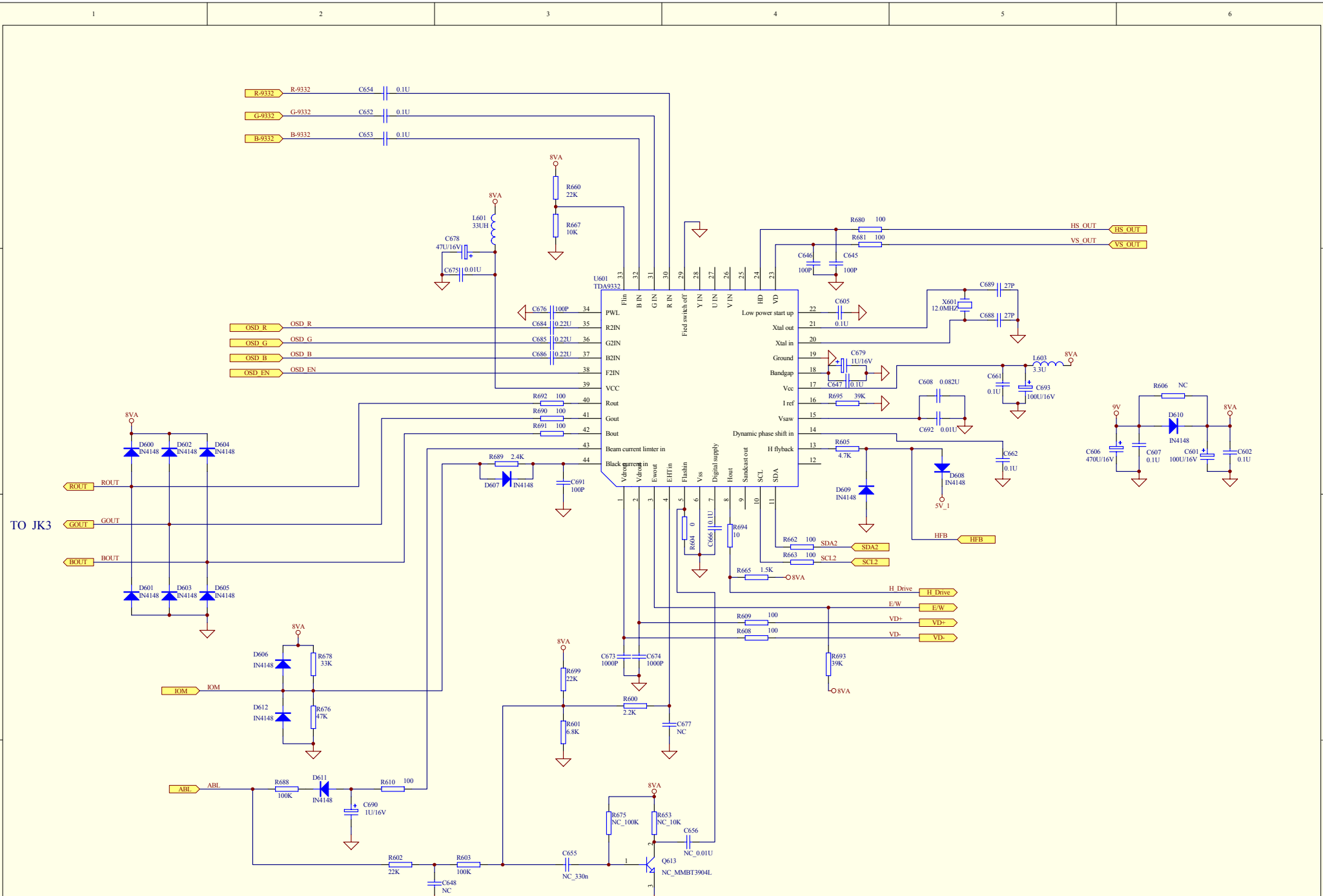
Title			MCU		
Size	Number				Revision
C					
Date:	17-Jan-2006	Sheet of			
File:	E:\3D20\3D20.DDB	Drawn By:			



Title		
Decoder		
Size	Number	Revision
C		
Date:	17-Jan-2006	Sheet of
File:	E:\3D20\3D20.DDB	Drawn By:



Title		
HTV025		
Size	Number	Revision
B		
Date:	17-Jan-2006	Sheet of
File:	E:\31220\31220.DDB	Drawn By:



TO JK3

Title			TDA9332		
Size	Number		Revision		
C					
Date:	17-Jan-2006		Sheet of		
File:	E:\3D20\3D20.DDB		Drawn By:		